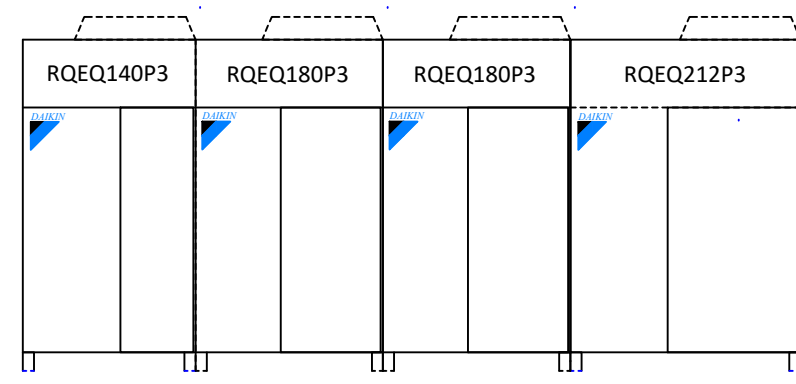
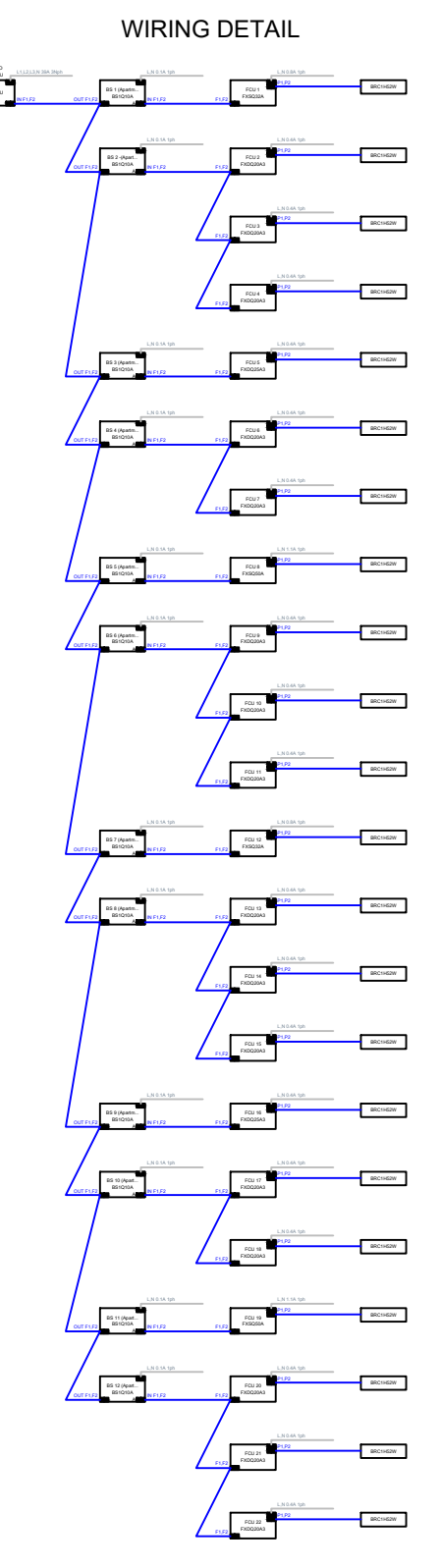
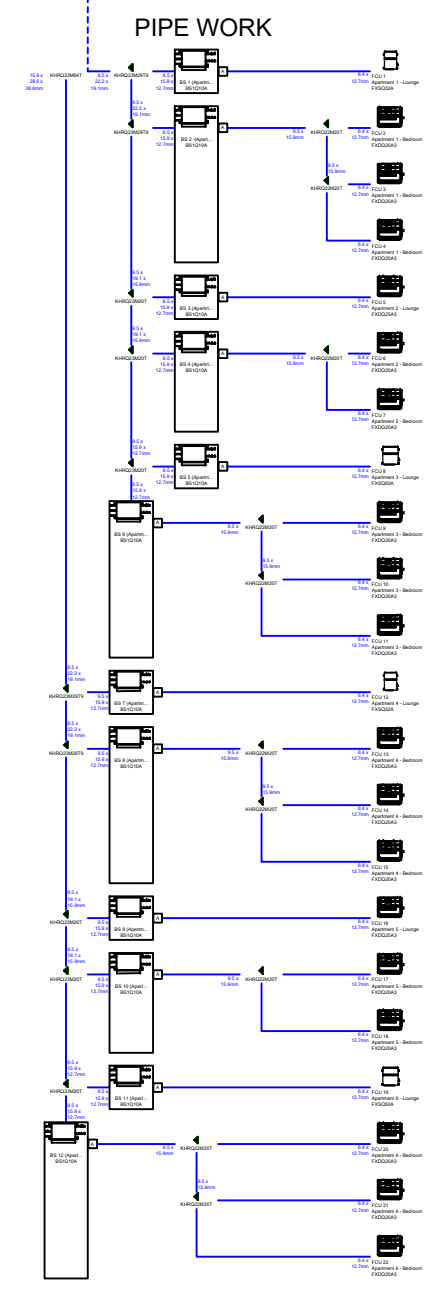


ALL CLIENTS INFOREMATON HAS BEEN REMOVED FROM THIS DRAWING.

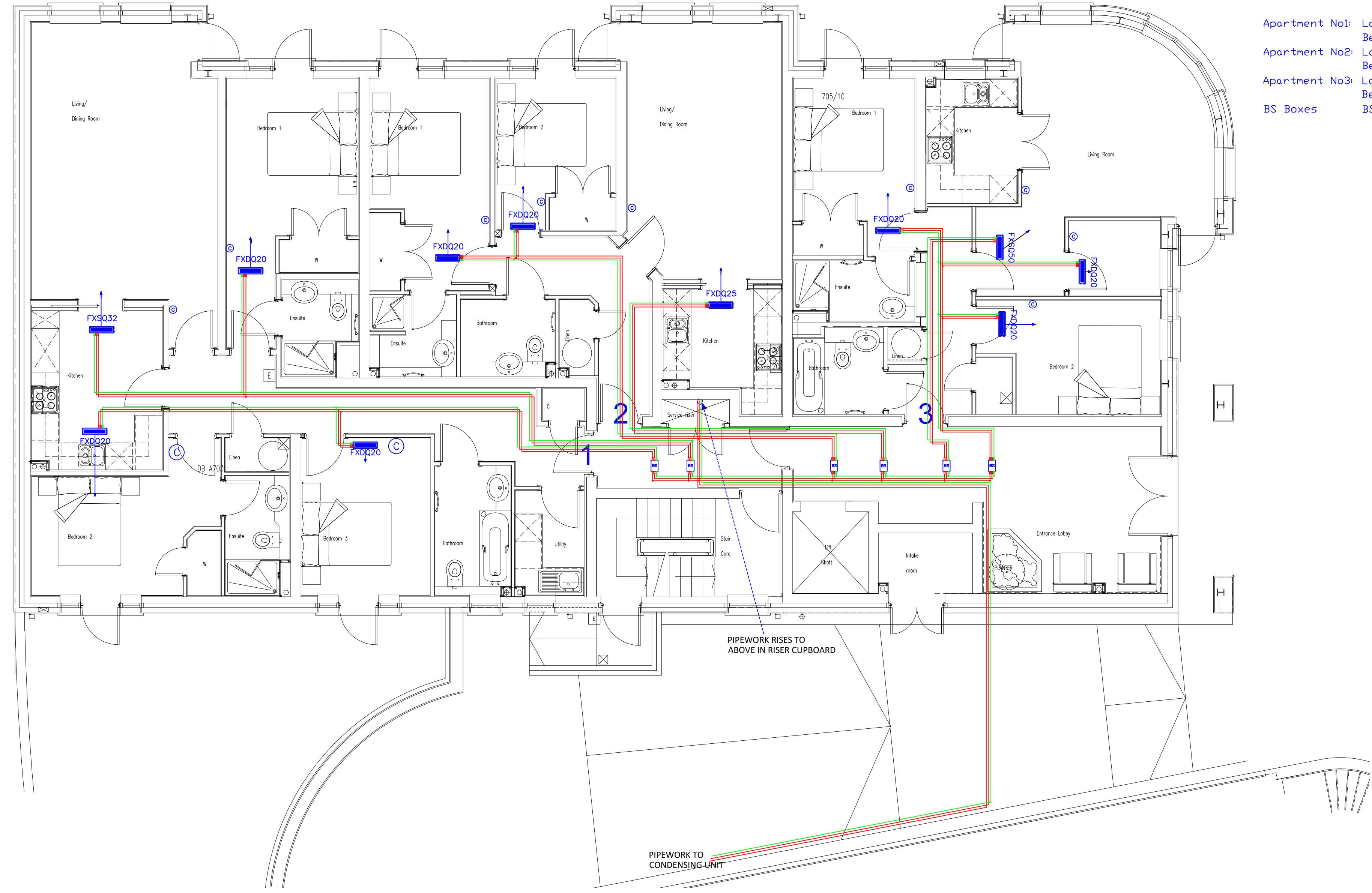


RQEQ712=RQEQ140+RQEQ180+RQEQ180+RQEQ212



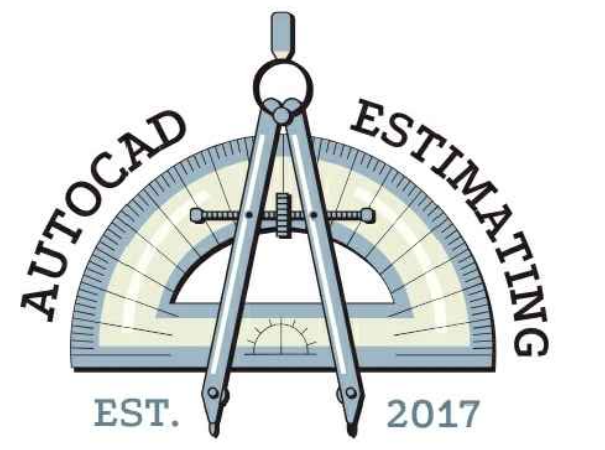
LEGEND

- Refrigerant Pipework
  - Condensate
  - Air Supply Vents
  - Ⓢ Room Controllers mounted at 1400mm FFFL
  - FXDQ20 Ducted Conditioning Units
  - FXDQ25 Ducted Conditioning Units
  - FXSQ32 Ducted Conditioning Units
  - FXSQ50 Ducted Conditioning Units
  - BSIQ10 BSIQ 10A7V1B Branch Box Unit
- Apartment No1: Lounge-FXSQ32  
Bedrooms-FXDQ20
- Apartment No2: Lounge-FXSQ25  
Bedrooms-FXDQ20
- Apartment No3: Lounge-FXSQ50  
Bedrooms-FXDQ20
- BS Boxes BSIQ10A7V1B



REV. 1/A	ISSUED FOR APPROVAL	DATE
	DESCRIPTION	
	REVISIONS	

STATUS  
ISSUED FOR APPROVAL



CLIENT	-
PROJECT	-
TITLE	-
SCALE	DESIGNED
CONTRACT NUMBER	DRAWN
DATE	CHECKED
DRAWING NUMBER	REVISION